



PrimeSlitter

Station type slitter

PrimeSlitter CHRO SilverLine

Universal applications for flexibility and output.

The new PrimeSlitter series consisting of BlackLine, BlueLine and SilverLine is the new benchmark in slitting flexible films.

Succeeding our well proven Universal and Unislit series PrimeSlitter marks the new era of highly efficient and versatile slitting machines.

The market and your customer requirements are ever changing and the requirement is to increase your overall flexibility and efficiency? When you think about the conversion of films, you always need to think in terms of individual solutions.

With the new trendsetting PrimeSlitter you are optimally positioned for your challenges.

Maximum performance and modularity.

We combine strong core features to guarantee the required maximum performance with new, smart and exciting solutions. Following the optimum characteristics of the production line, the PrimeSlitter will be configured tailored to your film specifications to achieve the highest output with perfect quality. Use our extensive solution packages to realize your requirements in a profitable production.

- Reduce set-up times
- Ease your operation
- Increase quality
- Realize smart use of data

We certainly have the right solution for you.



Performance and processing range. A definite strength of your PrimeSlitter.

Technical Data

Materials

Biax films BOPP, PET, PE, PA, PLA, PS
Cast, blown, calendered films, laminates

Material thickness

8 - 400 µm

Material widths

2,500 · 3,000 · 3,500 · 4,000 mm

Parent roll diameters

1,300 · 1,500 mm

Finished roll diameters

1,270 · 1,500 mm

Finished roll weights

2 · 3 · 4 · 5 · 6 tons

Slitting systems

Razor blade cut · burst cut · shear cut

Slitting widths

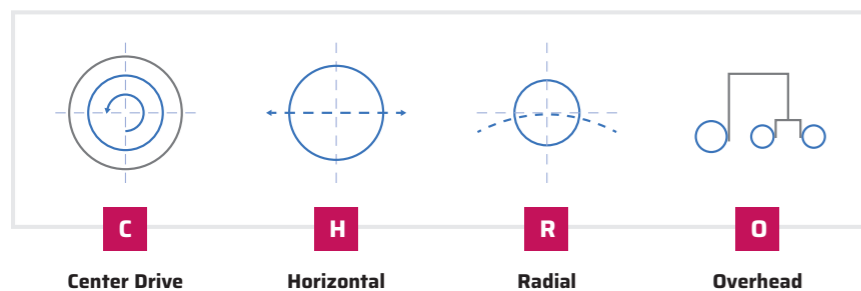
250 - 4,000 mm

Winding cores

3" · 6" · 8" · 10"

Machine speed

1,250 · 1,500 m/min



Versatility - more flexibility

PrimeSlitter SilverLine is the universal slitter for cast, blown and calendered primary film as well as composite and laminated films. The ideal secondary slitter for plain, coex and metallized biax films.

Uptime is the focus. The sum of solutions makes the difference.

Change settings - The clever way to save time and improve ergonomics with new embeddable solutions for:

- Chucking heads
- Finished roll trays
- Contact roller
- Set-up information
- Slitting tools



4,000 mm
max. material width



1,500 m/min
max. machine speed



Look and Feel.

OPERATOR'S ERGONOMIC COMFORT IN A NEW DESIGN.

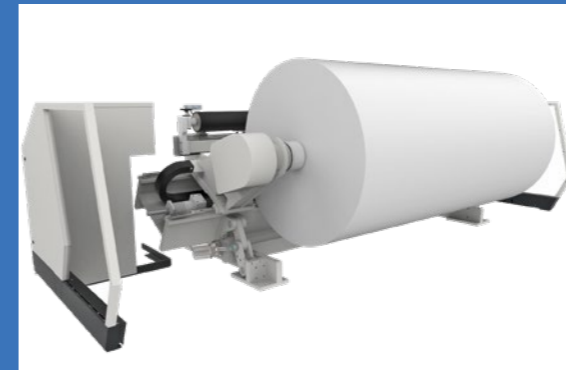
Simplified machine operation, optimum accessibility and integrated safety are combined by a completely new design and color concept.

The redesigned operation concept considers a complete new Human Machine Interface including a new level of forward-looking information, newly designed workplaces, as well as future-oriented handling and digitization solutions.

The new PrimeSlitter provides state-of-the-art Siemens control systems combined with precise individual drive technology and advanced web control features. All integrated in a concept of proven mechanical engineering and without any hydraulic functions.

A modular system.

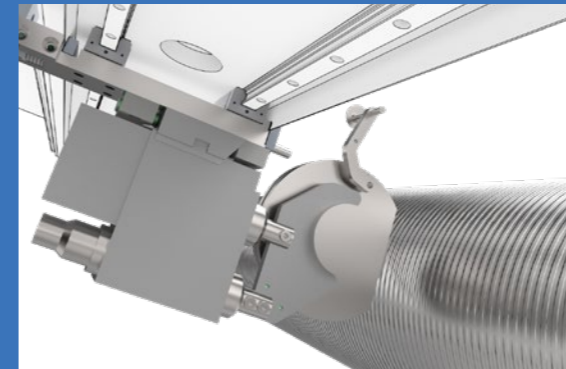
CUSTOMIZED FOR YOUR APPLICATION.



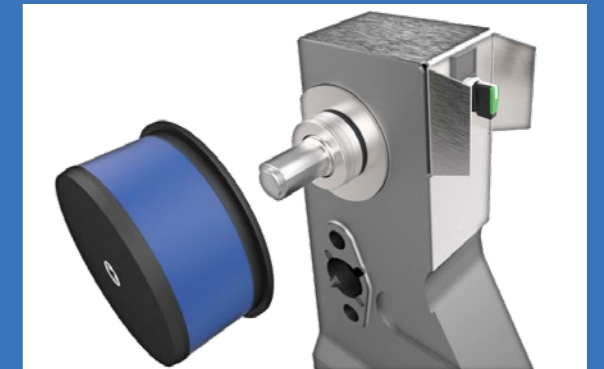
Unwinder
Optional 6 tons unwinder for heavy parent rolls



Individual roll drives
For sensitive films like high barrier, capacitor or BOPE films



Shear cut
The optional system for thick or sensitive films like MOPET or laminates



Chucking head
The new quick clamping system for chucks enables tool-free replacement in a matter of seconds



Winding stations
For up to 6 tons finished roll weight up to 1,500 mm diameter



Finished roll removal units
Various options from manual cart to automated system

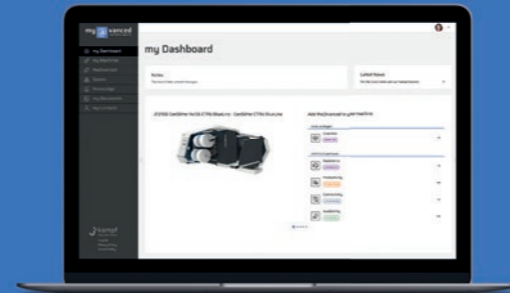
DIGITAL CUSTOMER SOLUTIONS

The digital **customer portal my@vanced** and the **integrative platform the@vanced** make change accessible: with digital collaboration, intelligent production, and continuous evolution of know-how.

Connecting
people.
Integrating
machines.

my @ vanced
customer portal

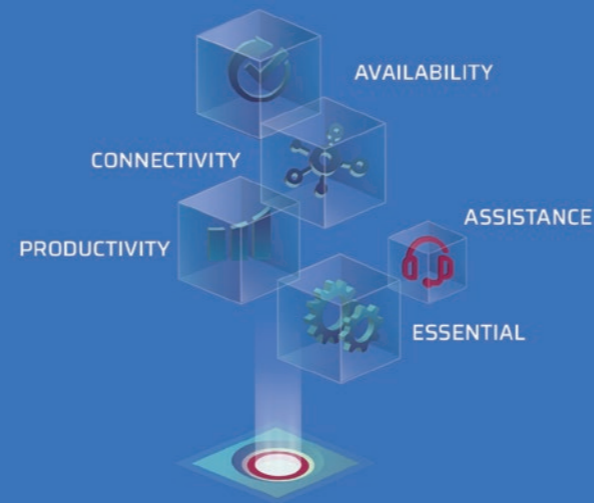
my@vanced is our **digital customer portal**:
Up-to-date information, practical knowledge,
easy spares identification, online shop, and the
certainty to have all necessary **information in**
one place – at any time.



NEXT GENERATION
PRODUCTION

the @ vanced
integrative platform

the@vanced is our digital
integrative platform. It connects
value chain systems in the field
of webshaped materials pro-
cessing. With the **five packages**
Essential, Assistance, Availability,
Productivity and Connectivity
it allows scalable solutions from
using our **Remote Service** to a
full integration into existing **MES**
or **ERP** systems.



Visit our website for more information:
www.kampf.de/digital-customer-solutions



Your partners worldwide

Germany

Kampf GmbH

Mühlener Straße 36-42 • 51674 Wiehl

fon +49 2262 81-0

info@kampf.de

www.kampf.de

United Kingdom

Atlas Converting Equipment Ltd.

8 Wolseley Road, Woburn Road Industrial Estate

Kempston • Bedford, MK42 7XT

fon +44 1234 852553

sales@atlasconverting.com

service@atlasconverting.com

www.atlasconverting.com

USA

Kampf Machinery Corporation

Kennedy Technology Center

900 River Street, Unit H • Windsor, CT-06095

fon +1 860 640 0040 • info@kampfusa.com

www.kampfusa.com

Atlas Converting North America, Inc.

9801-F Southern Pine Boulevard • Charlotte, NC 28273

fon +1 704 587 2450

sales.usa@atlasconverting.com

service.usa@atlasconverting.com

www.atlasconverting.com

China - Hong Kong

Kampf (Hong Kong) Co. Ltd.

Room 803, 8/F • Wanchai Commercial Centre

194-204 Johnston Road, Wanchai • Hong Kong

fon +852 2882 1136

kampfhk@kampf.com.hk

China - Shanghai

Kampf Machinery (Shanghai) Co. Ltd.

302-304, Floor 3 • No. 8, Sunnyworld Center

Lane 1518, South Yumin Road

Jiading District • 201801 Shanghai

fon +86 21 5951 8030

xiaoguang.hou@kampf-shanghai.com.cn

India

Kampf Machinery India Pvt. Ltd.

413, fourth floor, Atlantis Heights Sarabhai

Compound, Near Genda Circle • 390007 Vadodara, Gujarat

fon +91 962 404 4922

service@kampf-india.com

Kampf Machinery India Pvt. Ltd.

Office no. 1121, Tower no. A, Plot No. A-40, ITHUM Building

Sector-62 • 201309 Noida, Uttar Pradesh

fon +91 96240 89896

sales@kampf-india.com